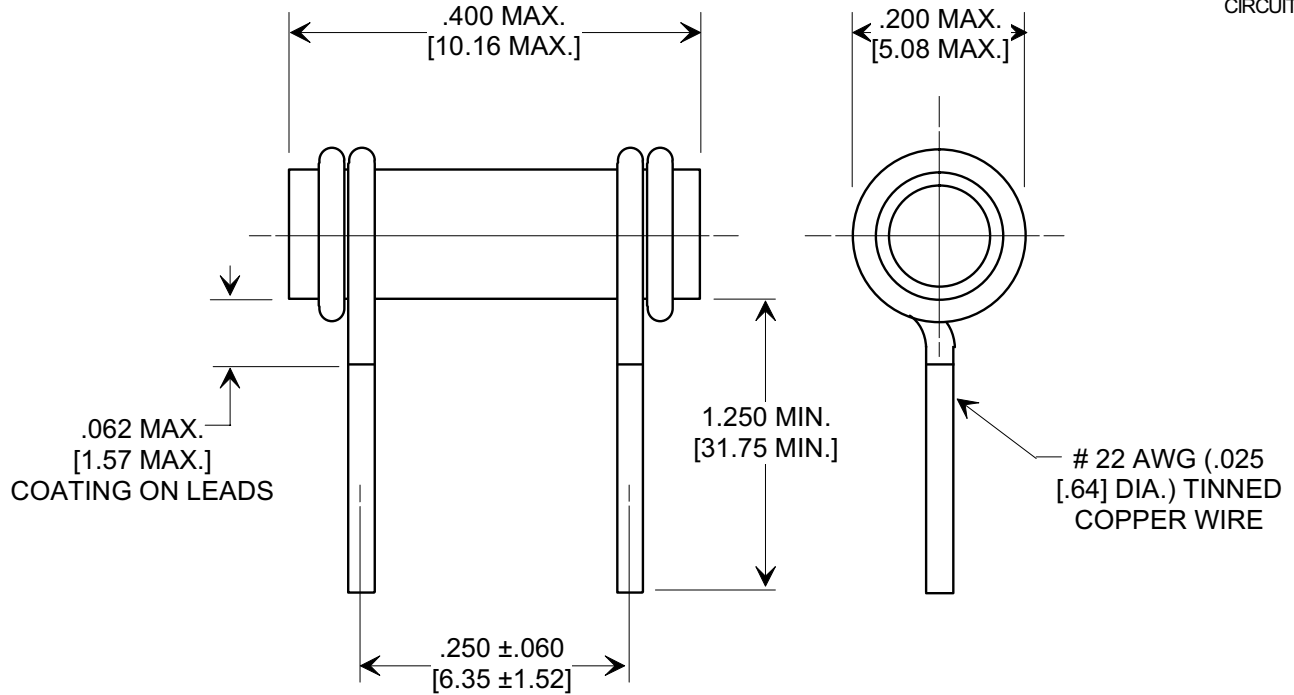
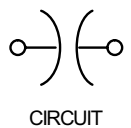
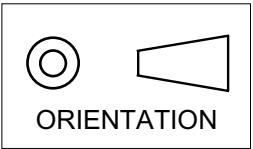


Electrical Testing
per Tusonix standard
test plans and Mil-Std-202
Test Methods.

MARKETING SALES DRAWING
DIMENSIONS IN INCHES - DO NOT SCALE THIS DRAWING
DIMENSIONS IN INCHES - []



SPECIFICATIONS

Tusonix Style:	301-611	
Value:	3 pF	
Value Tol.:	± .5 pF	
Temp. Coef.:	U2J	
Operating Range:	-55°C TO 85°C	
Voltage	Working:	500 VDC
	Test:	1500 VDC
	Life:	1000 VDC
Marking:	STANDARD COLOR CODE	

NOTE:
INSPECTED TO MIL-PRF-20
GROUP A, NON-ER.

REVISION RECORD Original Release C.O. 20030724-1-05 0	--TOLERANCES-- Unless Otherwise Specified		Title LACQUER COATED TUBULAR CAPACITOR	
	DECIMAL ±		Drawn	L.E. 07-28-03
	ANGLES ±		Scale	5X
	TUSONIX TUCSON, ARIZONA		Approved	T.C. 07-28-03
		A	301-611-U2J0-309D	